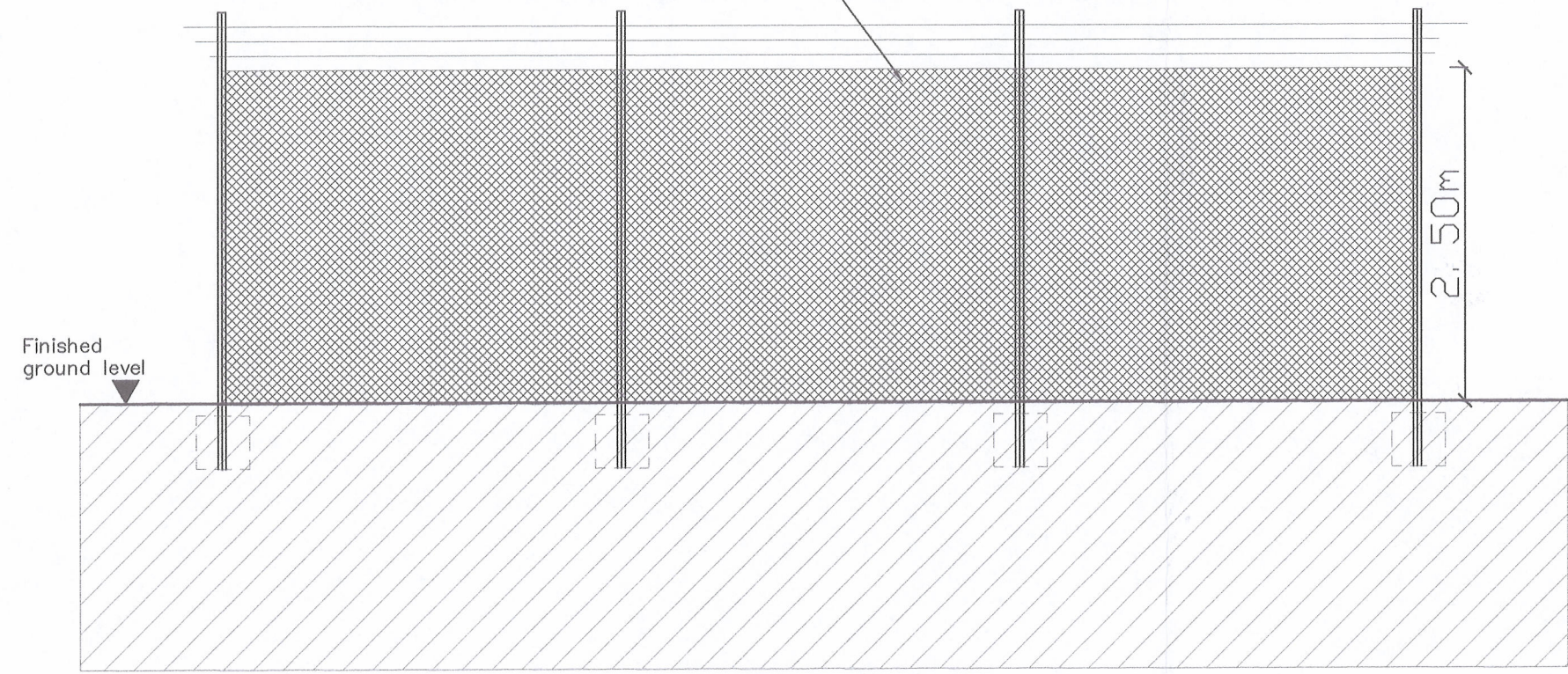
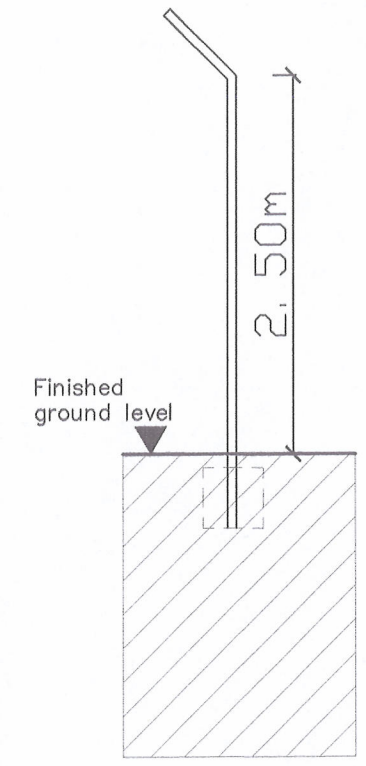


Rev	Revision note	Date	Signature	Checked

Proprietary security chain link fence with galvanised steel chain link and cranked posts. All installed in accordance with manufacturer's details and written instructions.



FENCE ELEVATION



FENCE SECTION



Martin C Stewart Ltd., 1 Victoria Buildings, 34 Union Street, Lochgilphead, Argyll, PA31 8JS  
 t.01546 606 067 f.01546 606 091 www.stewartconsultingargyll.co.uk info@stewartconsultingargyll.co.uk

Client	Kilchoman Distillery			
Project	Proposed Bonded Store, Conisby, Bruichladdich, Isle of Islay			
Drawing	Fence details			
Date	November 2009	Scale	1:50	Rev
Drawn by		Drawing number	1768-06	